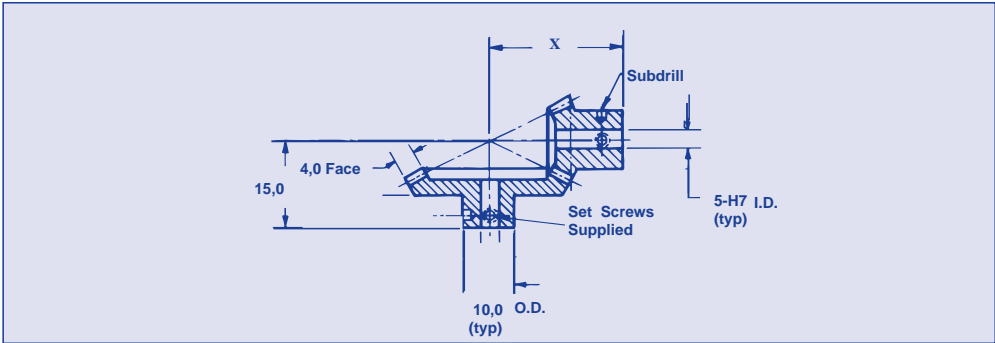


MITER AND BEVEL GEARS

20 ° PRESSURE ANGLE

**0,5
MODULE**



METRIC SIZES

Material: 303 Stainless steel
2024-T4 Aluminum

ORDER BY CATALOG NUMBER
Dimensions in millimeters

Cat. No.	Pitch Diameter	Ratio	Number of Teeth	X	Material
LHX-M3-32	16,00(p) 16,00(g)	1 to 1	32 32	15,0	Stainless Steel/ Aluminum
LHS-M3-32	16,00(p) 16,00(g)	1 to 1	32 32	15,0	Stainless Steel/ Stainless Steel
LHA-M3-32	16,00(p) 16,00(g)	1 to 1	32 32	15,0	Aluminum/ Aluminum
LHX-M3-64	16,00(p) 32,00(g)	1 to 2	32 64	23,0	Stainless Steel/ Aluminum
LHS-M3-64	16,00(p) 32,00(g)	1 to 2	32 64	23,0	Stainless Steel/ Stainless Steel
LHA-M3-64	16,00(p) 32,00(g)	1 to 2	32 64	23,0	Aluminum/ Aluminum
LHX-M3-96	16,00(p) 48,00(g)	1 to 3	32 96	32,0	Stainless Steel/ Aluminum
LHS-M3-96	16,00(p) 48,00(g)	1 to 3	32 96	32,0	Stainless Steel/ Stainless Steel
LHA-M3-96	16,00(p) 48,00(g)	1 to 3	32 96	32,0	Aluminum/ Aluminum

NORDEX

Manufactured to
DIN 7 tolerances

(800) 243-0986 144L
In CT (203) 775-4877