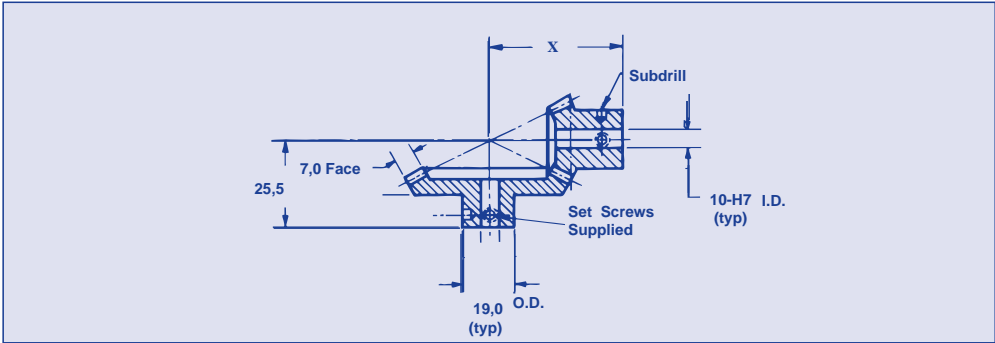


# MITER AND BEVEL GEARS

20 ° PRESSURE ANGLE

**1,0  
MODULE**



## METRIC SIZES

Material: 303 Stainless steel  
2024-T4 Aluminum

ORDER BY CATALOG NUMBER  
Dimensions in millimeters

Cat. No.	Pitch Diameter	Ratio	Number of Teeth	X	Material
LHX-M2-24	24,00(p) 24,00(g)	1 to 1	24 24	25,5	Stainless Steel/ Aluminum
LHS-M2-24	24,00(p) 24,00(g)	1 to 1	24 24	25,5	Stainless Steel/ Stainless Steel
LHA-M2-24	24,00(p) 24,00(g)	1 to 1	24 24	25,5	Aluminum/ Aluminum
LHX-M2-48	24,00(p) 48,00(g)	1 to 2	24 48	38,0	Stainless Steel/ Aluminum
LHS-M2-48	24,00(p) 48,00(g)	1 to 2	24 48	38,0	Stainless Steel/ Stainless Steel
LHA-M2-48	24,00(p) 48,00(g)	1 to 2	24 48	38,0	Aluminum/ Aluminum
LHX-M2-72	24,00(p) 72,00(g)	1 to 3	24 72	51,0	Stainless Steel/ Aluminum
LHS-M2-72	24,00(p) 72,00(g)	1 to 3	24 72	51,0	Stainless Steel/ Stainless Steel
LHA-M2-72	24,00(p) 72,00(g)	1 to 3	24 72	51,0	Aluminum/ Aluminum

**143L (800) 243-0986**  
In CT (203) 775-4877

Manufactured to  
DIN 7 tolerances

**NORDEX**