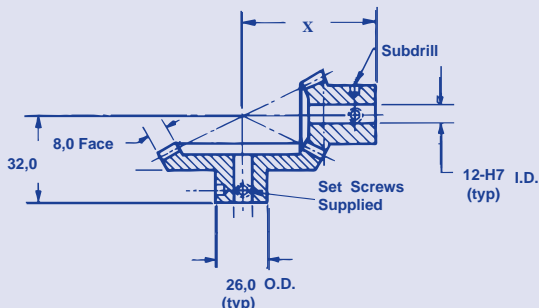


# MITER AND BEVEL GEARS

1,50  
MODULE

20 ° PRESSURE ANGLE



## METRIC SIZES

Material: 303 Stainless steel  
2024-T4 Aluminum

ORDER BY CATALOG NUMBER  
Dimensions in millimeters

Cat. No.	Pitch Diameter	Ratio	Number of Teeth	X	Material
LHX-M1-20	30,00(p) 30,00(g)	1 to 1	20 20	32,0	Stainless Steel/ Aluminum
LHS-M1-20	30,00(p) 30,00(g)	1 to 1	20 20	32,0	Stainless Steel/ Stainless Steel
LHA-M1-20	30,00(p) 30,00(g)	1 to 1	20 20	32,0	Aluminum/ Aluminum
LHX-M1-40	30,00(p) 60,00(g)	1 to 2	20 40	47,5	Stainless Steel/ Aluminum
LHS-M1-40	30,00(p) 60,00(g)	1 to 2	20 40	47,5	Stainless Steel/ Stainless Steel
LHA-M1-40	30,00(p) 60,00(g)	1 to 2	20 40	47,5	Aluminum/ Aluminum
LHX-M1-60	30,00(p) 90,00(g)	1 to 3	20 60	63,5	Stainless Steel/ Aluminum
LHS-M1-60	30,00(p) 90,00(g)	1 to 3	20 60	63,5	Stainless Steel/ Stainless Steel
LHA-M1-60	30,00(p) 90,00(g)	1 to 3	20 60	63,5	Aluminum/ Aluminum

**NORDEX**

Manufactured to  
DIN 7 tolerances

**(800) 243-0986 142L**  
In CT (203) 775-4877