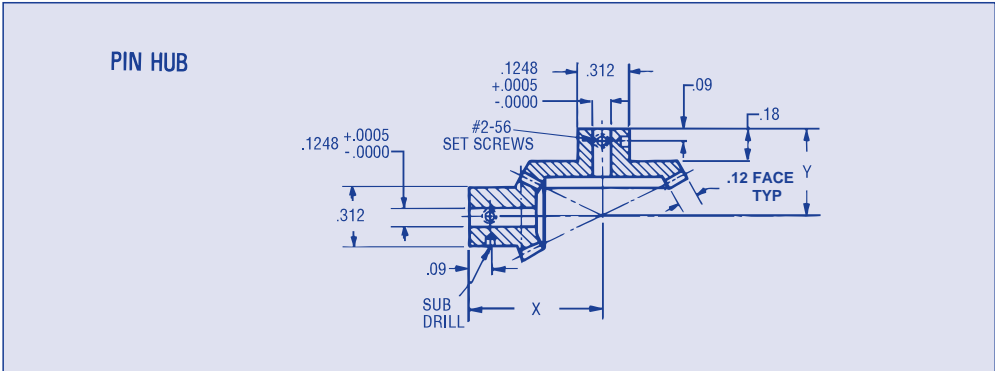


MITER AND BEVEL GEARS

20° PRESSURE ANGLE QUALITY NO. 10*
MATCHED PAIRS

**72 PITCH
.12 FACE
.1248 BORE**



**Material: 303 Stainless Steel
2024-T4 Aluminum – chromic acid anodized.**

ORDER BY CATALOG NUMBER

The first letter in the material column represents the material of the smallest gear.

Material	Cat. No.	Pitch Dia.	X	Y	No. Teeth	Ratio
Steel/Alum. Steel/Steel Alum./Alum.	LHX-G1-24 LHS-G1-24 LHA-G1-24	.333/.333	.437	.437	24/24	1:1
Steel/Alum. Steel/Steel Alum./Alum.	LHX-G1-36 LHS-G1-36 LHA-G1-36	.500/.500	.531	.531	36/36	1:1
Steel/Alum. Steel/Steel Alum./Alum.	LHX-G1-54 LHS-G1-54 LHA-G1-54	.500/.750	.640	.531	36/54	1:1-1/2
Steel/Alum. Steel/Steel Alum./Alum.	LHX-G1-72 LHS-G1-72 LHA-G1-72	.500/1.000	.750	.531	36/72	1:2
Steel/Alum. Steel/Steel Alum./Alum.	LHX-G1-108 LHS-G1-108 LHA-G1-108	.500/1.500	1.000	.531	36/108	1:3
Steel/Alum. Steel/Steel Alum./Alum.	LHX-G1-144 LHS-G1-144 LHA-G1-144	.500/2.000	1.250	.531	36/144	1:4

*To order quality #12 gears please inquire for price per set and add Q12 to the Catalog Number.

BROKEN SETS

Individual miter and bevel gears from above matched sets can be ordered separately by the following catalog numbers. NOTE: It is important to specify which set the single gear is to fit.

Example:
LHS-G1-36S,
from set LHX-G1-72

ORDER BY CATALOG NUMBER

No. of Teeth	STAINLESS STEEL	ALUMINUM
	Cat. No.	Cat. No.
24	LHS-G1-24S	LHA-G1-24S
36	LHS-G1-36S	LHA-G1-36S
54	LHS-G1-54S	LHA-G1-54S
72	LHS-G1-72S	LHA-G1-72S
108	LHS-G1-108S	LHA-G1-108S
144	LHS-G1-144S	LHA-G1-144S

NORDEX

(800) 243-0986 140L
In CT (203) 775-4877