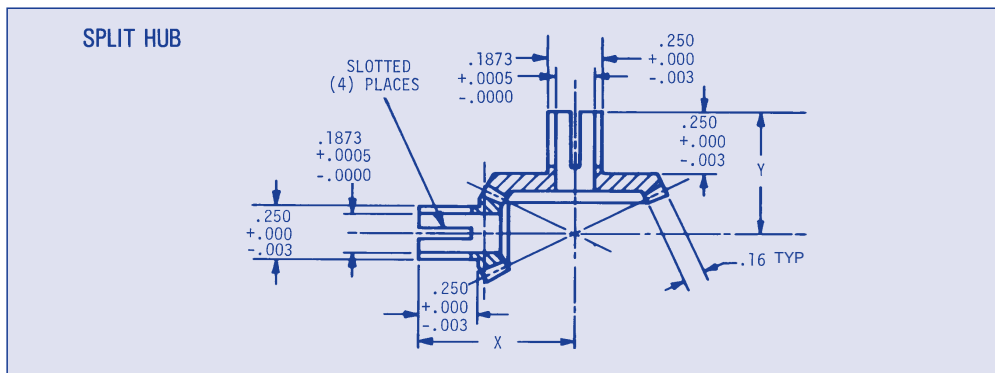


MITER AND BEVEL GEARS

**64 PITCH
.16 FACE
.1873 BORE**

20° PRESSURE ANGLE QUALITY NO. 10*
MATCHED PAIRS



**Material: 303 Stainless Steel
2024-T4 Aluminum – chromic acid anodized.**

ORDER BY CATALOG NUMBER

The first letter in the material column represents the material of the smallest gear.

Material	Cat. No.	Pitch Dia.	X	Y	No. Teeth	Ratio
Steel/Alum. Steel/Steel Alum./Alum.	LHX-F5-32 LHS-F5-32 LHA-F5-32	.500/.500	.593	.593	32/32	1:1
Steel/Alum. Steel/Steel Alum./Alum.	LHX-F5-48 LHS-F5-48 LHA-F5-48	.500/.750	.687	.593	32/48	1:1-1/2
Steel/Alum. Steel/Steel Alum./Alum.	LHX-F5-64 LHS-F5-64 LHA-F5-64	.500/1.000	.781	.593	32/64	1:2
Steel/Alum. Steel/Steel Alum./Alum.	LHX-F5-96 LHS-F5-96 LHA-F5-96	.500/1.500	1.031	.593	32/96	1:3

*To order quality #12 gears please inquire for price per set and add Q12 to the Catalog Number.

For special bores, alternate materials and other ratios – price on application.

Clamps are not included and must be ordered separately – see section B.

BROKEN SETS

ORDER BY CATALOG NUMBER

Individual miter and bevel gears from above matched sets can be ordered separately by the following catalog numbers. NOTE: It is important to specify which set the single gear is to fit.

Example:

LHS-F5-32S,
from set LHX-F5-96

No. of Teeth	STAINLESS STEEL	ALUMINUM
	Cat. No.	Cat. No.
32	LHS-F5-32S	LHA-F5-32S
48	LHS-F5-48S	LHA-F5-48S
64	LHS-F5-64S	LHA-F5-64S
96	LHS-F5-96S	LHA-F5-96S
128	LHS-F5-128S	LHA-F5-128S

139L (800) 243-0986
In CT (203) 775-4877

NORDEX