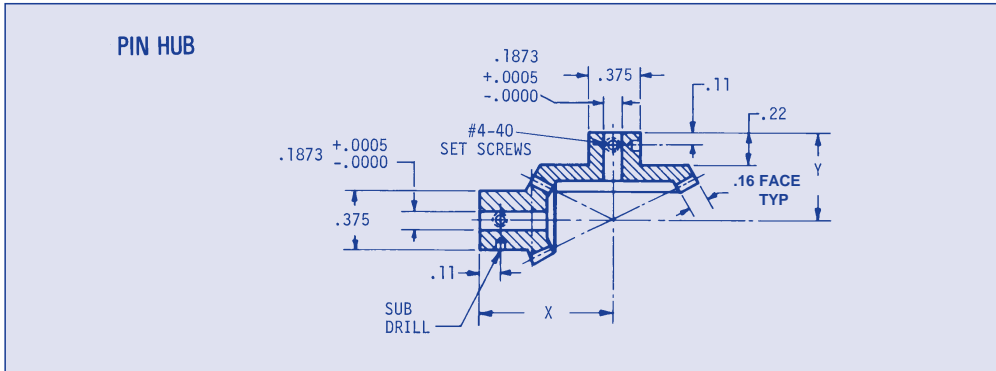


MITER AND BEVEL GEARS

20° PRESSURE ANGLE QUALITY NO. 10*
MATCHED PAIRS

**64 PITCH
.16 FACE
.1873 BORE**



Material: 303 Stainless Steel

2024-T4 Aluminum – chromic acid anodized.

ORDER BY CATALOG NUMBER

The first letter in the material column represents the material of the smallest gear.

Material	Cat. No.	Pitch Dia.	X	Y	No. Teeth	Ratio
Steel/Alum. Steel/Steel Alum./Alum.	LHX-F2-32 LHS-F2-32 LHA-F2-32	.500/.500	.562	.562	32/32	1:1
Steel/Alum. Steel/Steel Alum./Alum.	LHX-F2-48 LHS-F2-48 LHA-F2-48	.500/.750	.656	.562	32/48	1:1-1/2
Steel/Alum. Steel/Steel Alum./Alum.	LHX-F2-64 LHS-F2-64 LHA-F2-64	.500/1.000	.750	.562	32/64	1:2
Steel/Alum. Steel/Steel Alum./Alum.	LHX-F2-96 LHS-F2-96 LHA-F2-96	.500/1.500	1.000	.562	32/96	1:3
Steel/Alum. Steel/Steel Alum./Alum.	LHX-F2-128 LHS-F2-128 LHA-F2-128	.500/2.000	1.250	.562	32/128	1:4

*To order quality #12 gears please inquire for price per set and add Q12 to the Catalog Number.

For special bores, alternate materials and other ratios – price on application.

ORDER BY CATALOG NUMBER

BROKEN SETS

Individual miter and bevel gears from above matched sets can be ordered separately by the following catalog numbers. NOTE: It is important to specify which set the single gear is to fit.

Example:
LHS-F2-32S,
from set LHX-F2-96

No. of Teeth	STAINLESS STEEL	ALUMINUM
	Cat. No.	Cat. No.
32	LHS-F2-32S	LHA-F2-32S
48	LHS-F2-48S	LHA-F2-48S
64	LHS-F2-64S	LHA-F2-64S
96	LHS-F2-96S	LHA-F2-96S
128	LHS-F2-128S	LHA-F2-128S

NORDEX

(800) 243-0986 138L
In CT (203) 775-4877